

# Specification Sheet

## 838.250.250 S OBLIQUE BRANCH 45°

-Pipe diameter: Ø250mm. Branch diameter: Ø250mm  
-Stainless steel: AISI316L/EN1.4404

### Product Codes

EAN: 5705499121667  
VVS Number: 160224550  
RSK Number: 1552161  
NRF Number:  
LVI Number: 0251171

### Specification

Angle (°): 45  
Length (mm): 512  
Material: AISI 316L  
Material (EN): EN 1.4404  
Outlet Diameter (mm): 250  
Type: Branches  
Weight (kg): 8,57

### Approvals



NO - 0692-16



SE - SITAC 4423/90-17



FR - DTA 14.1/12-1811\*V2 EuroPipe



DK - VA 2.12/19349-19



DK - VA 2.12/19350-19



DE - LGA Certificate 57214035 a

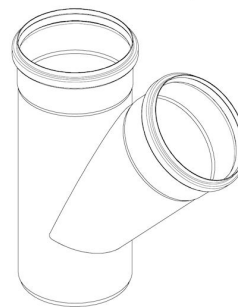
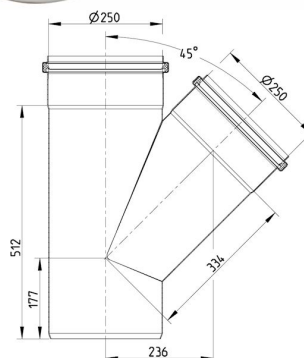
RU - 0212322 Pipes-18

PL - Hygienic Certificate - All products

RINA -MAC285119XG EuroPipe

Achilles Certificate - 25316-20

UR - 1055745



# BLÜCHER®

A WATTS Brand